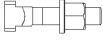
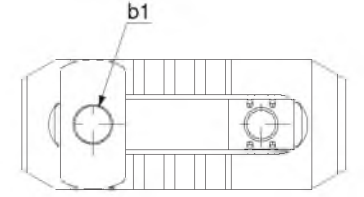
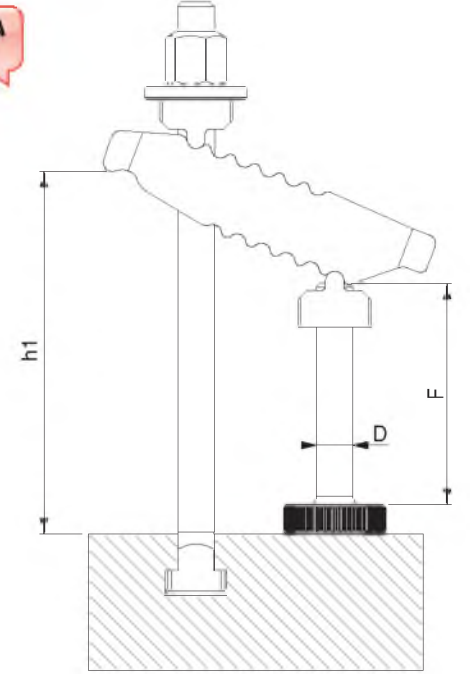


| Referans Nr | B1 | D x F |  DIN 787 | h1 |
|----------------|----|--------|---|--------|
| 1195-101010050 | 13 | M12x50 | M10x10x100 | 15-31 |
| 1195-121216050 | 13 | M12x50 | M12x12x160 | 15-97 |
| 1195-121416050 | 13 | M12x50 | M12x14x160 | 15-97 |
| 1195-121220062 | 17 | M16x62 | M12x12x200 | 18-126 |
| 1195-121420062 | 17 | M16x62 | M12x14x200 | 18-126 |
| 1195-161620062 | 17 | M16x62 | M16x16x200 | 18-126 |
| 1195-161820062 | 17 | M16x62 | M16x18x200 | 18-126 |
| 1195-121220097 | 17 | M16x97 | M12x12x200 | 18-120 |
| 1195-121420097 | 17 | M16x97 | M12x14x200 | 18-120 |
| 1195-161625097 | 17 | M16x97 | M16x16x250 | 39-161 |
| 1195-161825097 | 17 | M16x97 | M16x18x250 | 39-161 |
| 1195-161625062 | 21 | M20x62 | M16x16x250 | 18-129 |
| 1195-161825062 | 21 | M20x62 | M16x18x250 | 18-129 |
| 1195-202025062 | 21 | M20x62 | M20x20x250 | 18-129 |
| 1195-202225062 | 21 | M20x62 | M20x22x250 | 18-129 |
| 1195-161625097 | 21 | M20x97 | M16x16x250 | 18-151 |
| 1195-161825097 | 21 | M20x97 | M16x18x250 | 18-151 |
| 1195-202031597 | 21 | M20x97 | M20x20x315 | 42-184 |
| 1195-202231597 | 21 | M20x97 | M20x22x315 | 42-184 |
| 1195-202031562 | 25 | M20x62 | M20x20x315 | 21-147 |
| 1195-202231562 | 25 | M20x62 | M20x22x315 | 21-147 |
| 1195-242431562 | 25 | M20x62 | M24x24x315 | 21-147 |
| 1195-242831562 | 25 | M20x62 | M24x28x315 | 21-147 |
| 1195-202031597 | 25 | M20x97 | M20x20x315 | 21-182 |
| 1195-202231597 | 25 | M20x97 | M20x22x315 | 21-182 |
| 1195-242431597 | 25 | M20x97 | M24x24x315 | 21-182 |
| 1195-242831597 | 25 | M20x97 | M24x28x315 | 21-182 |



Ürün Nr. 1195 Kombine Çift Taraflı Bağlama Pabucu

- Ürün DIN 650 "T" kanala uyumludur.

Product Nr. 1195 Combined Coupling Clamps Double Sided

- Product is suitable to DIN 650 "T" Slot