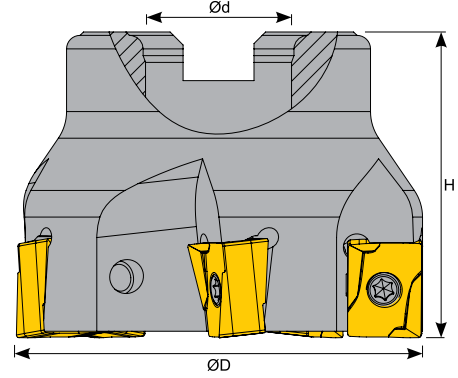





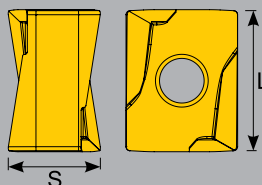
90° LNGX 1307

Face Mill

Eckmessenkopf



Sipariş Kodu Order Code Bestell Code	ÜRÜN KODU Product Code Produkt-Code	ÖLÇÜLER (mm) Dimensions (mm) Abmessungen (mm)				KULLANILAN UÇ Insert Wendeplatte	SIKMA CİVATASI Clamp Screw Klemmschraube	ANAHTAR Torx Key Torx-Schraubendreher
		ØD	Ød	Z	H			
T488	D040-16 Z03 LN13	40	16	3	45	LNGX 1307	TC079 M4	T15
T490	D050-22 Z04 LN13	50	22	4	45			
T492	D063-22 Z06 LN13	63	22	6	45			

ÖLÇÜLER (mm) Dimensions (mm) Abmessungen (mm)			
L	S	LNGX 1307	
14.00	9.00		

