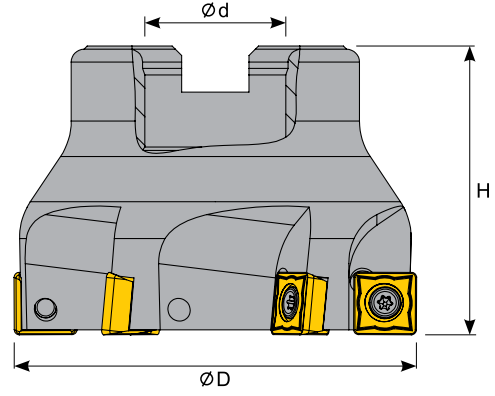





90° SPMG 0904

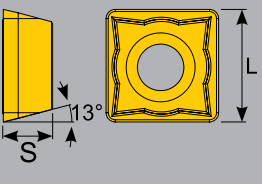
Face Mill

Eckmesserkopf



Sipariş Kodu Order Code Bestell Code	ÜRÜN KODU Product Code Produkt-Code	ÖLÇÜLER (mm) Dimensions (mm) Abmessungen (mm)				KULLANILAN UÇ Insert Wendepatte	SIKMA CIVATASI Clamp Screw Klemmschraube	ANAHTAR Torx Key Torx-Schraubendreher
		ØD	Ød	Z	H			
T338	D050-22 Z05 SP09	50	22	5	45	SPMG 0904	TC 070 M3.5	T15
T340	D063-22 Z06 SP09	63	22	6	45			
T342	D080-27 Z07 SP09	80	27	7	52			

ÖLÇÜLER (mm) Dimensions (mm) Abmessungen (mm)	
L	S
9.80	4.35



SPMG 0904

